

YE-136XMP MINI DIN SOCKET CHASSIS MOUNT

MATERIAL :

1. SHIELD COVER :
BRASS NICKEL PTD.
2. GND CONTACT:
PHOSPHOR BRONZE SILVER PTD.
3. HOUSING :
PBT+GF30%
4. TERMINALS :
PHOSPHOR BRONZE SILVER PTD.

SPECIFICATION :

Rating :

100V AC 1A /12V DC 2A max.

Contact Resistance :

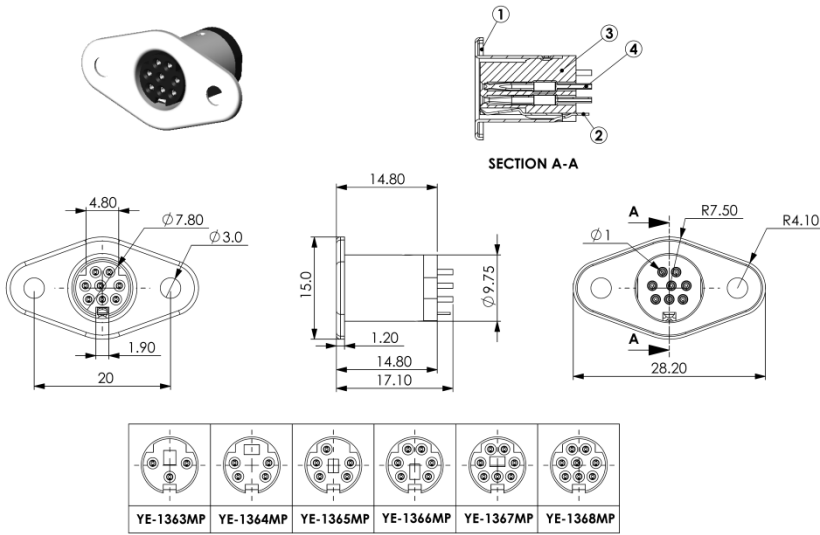
30mΩ max.

Insulation Resistance :

50MΩ at 250V DC min.

Voltage Withstand :

250V AC for 1 minute



YE-1363MP



YE-1364MP



YE-1365MP



YE-1366MP



YE-1367MP



YE-1368MP